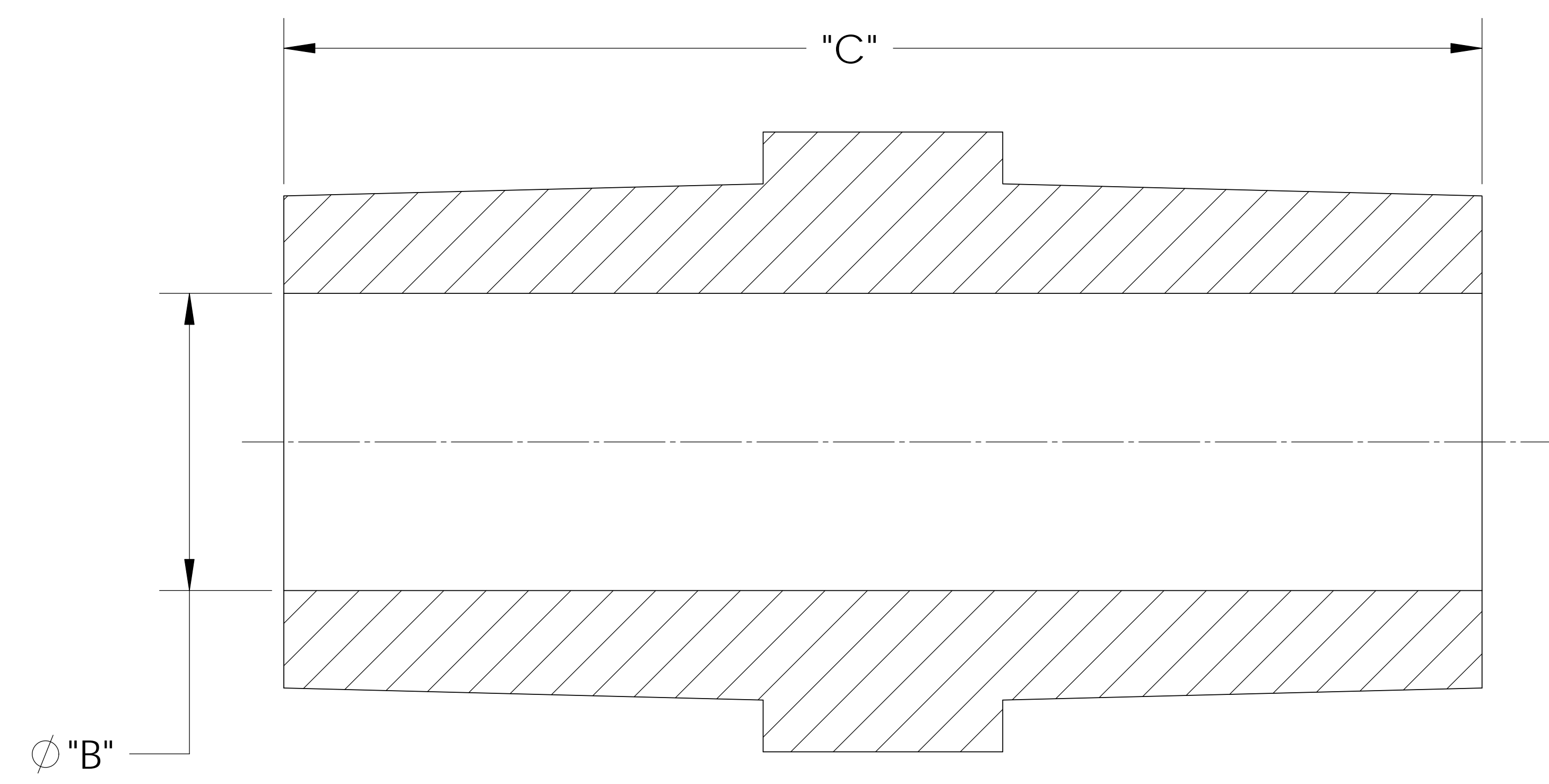
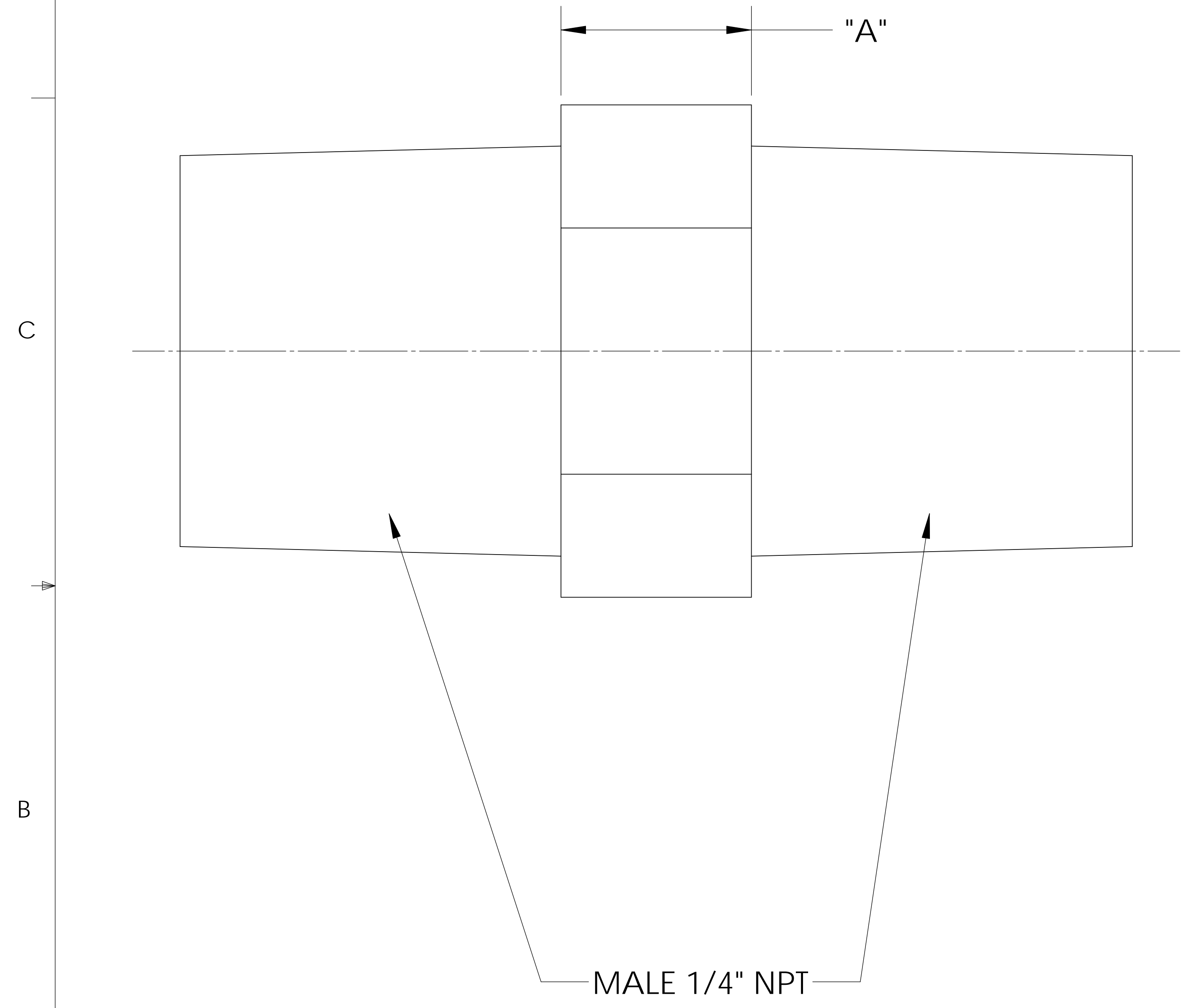
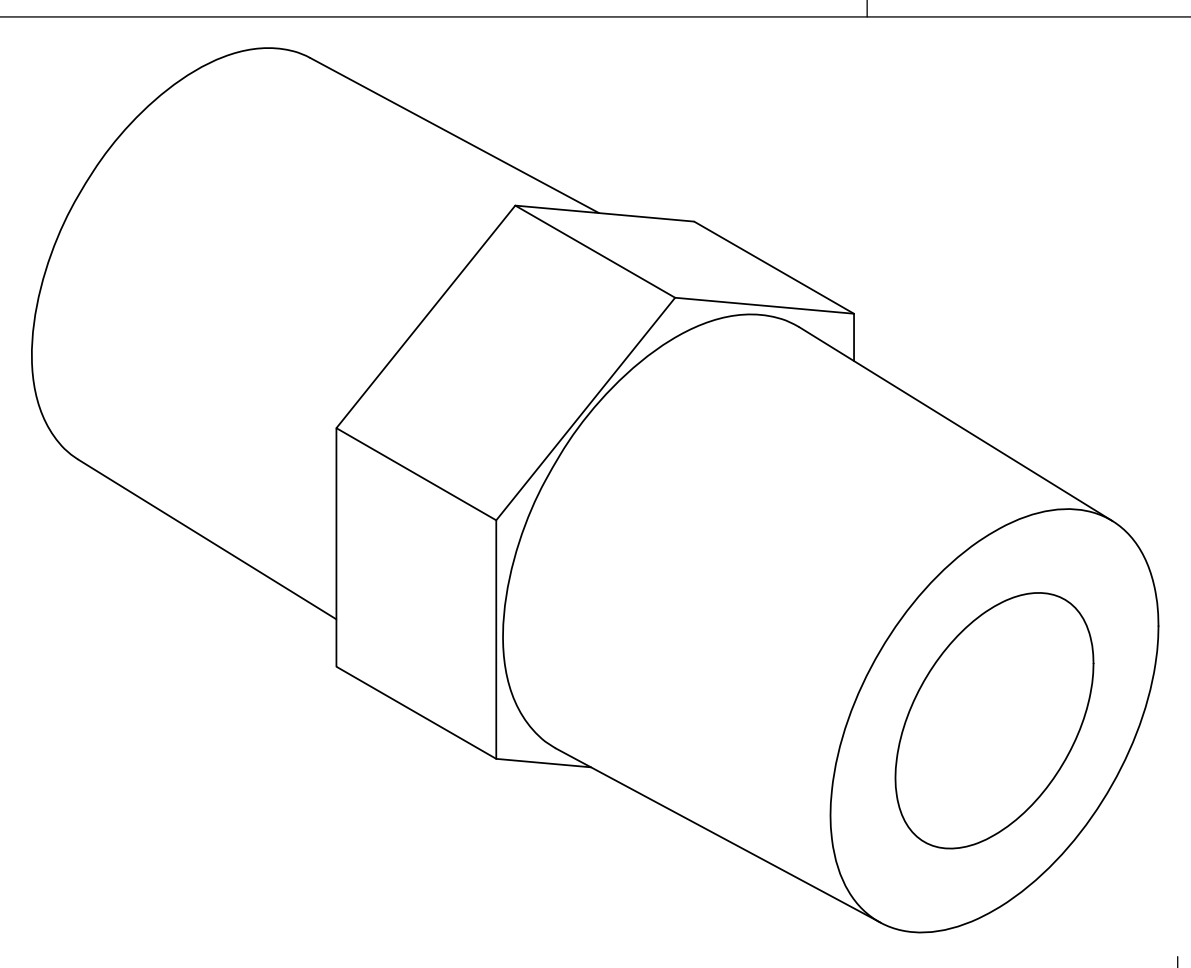
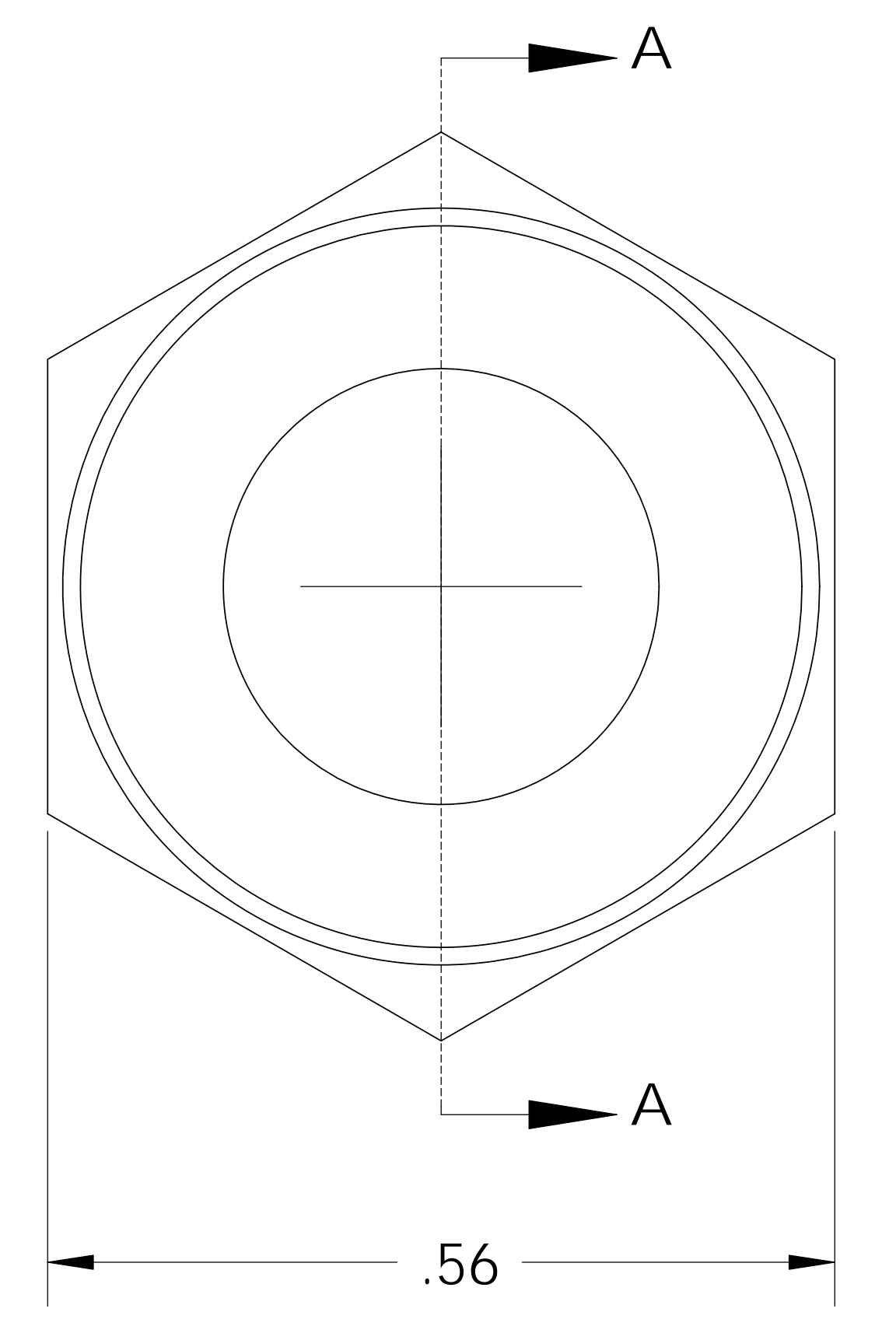


UNCONTROLLED IF PRINTED; CONTROLLED DOCUMENT LOCATED IN IQMS DOCUMENT CONTROL



SECTION A-A



CATALOG NO.	DESCRIPTION	MATERIAL	DIM "A"	DIM "B"	DIM "C"
TN5044/PP	1/4" X 1/4" PP	POLYPROPYLENE	.245	.310	1.23
TN5044/P	1/4" X 1/4" P	POLYETHYLENE	.245	.300	1.25
TN5044/N	1/4" X 1/4" N	NYLON	.250	.310	1.25

SHOWN

REV	WRO#	DESCRIPTION
C	95.00047	CONVERTED TO 3D FORMAT
HISTORY		

UNLESS OTHERWISE SPECIFIED:		NAME	DATE
DRAWN		KDJ	10/04/10
CHECKED		KDJ	10/4/10
ENG APPR.			XX/XX/XX
MFG APPR.			XX/XX/XX
Q.A.			XX/XX/XX
COMMENTS:			

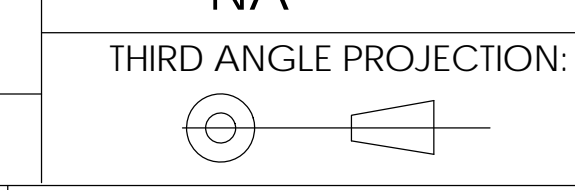
Thogus You think it, we can make it...
 33490 PIN OAK, AVON LAKE, OH 44012

TITLE: NIPPLE, 1/4 NPT X 1/4 NPT

SIZE B	DWG. NO. TN5044	REV C
SCALE: 4:1	MASS:	SHEET 1 OF 1

NOTES:
 1) POLYPROPYLENE HAS COLOR OPTIONS:
 BLACK = TN5044/PPB
 NATURAL = TN5044/PPN

PROPRIETARY AND CONFIDENTIAL
 THE INFORMATION CONTAINED IN THIS DRAWING IS THE SOLE PROPERTY OF THOGUS PRODUCTS COMPANY. ANY REPRODUCTION IN PART OR AS A WHOLE WITHOUT THE WRITTEN PERMISSION OF THOGUS PRODUCTS COMPANY IS PROHIBITED.



DO NOT SCALE DRAWING